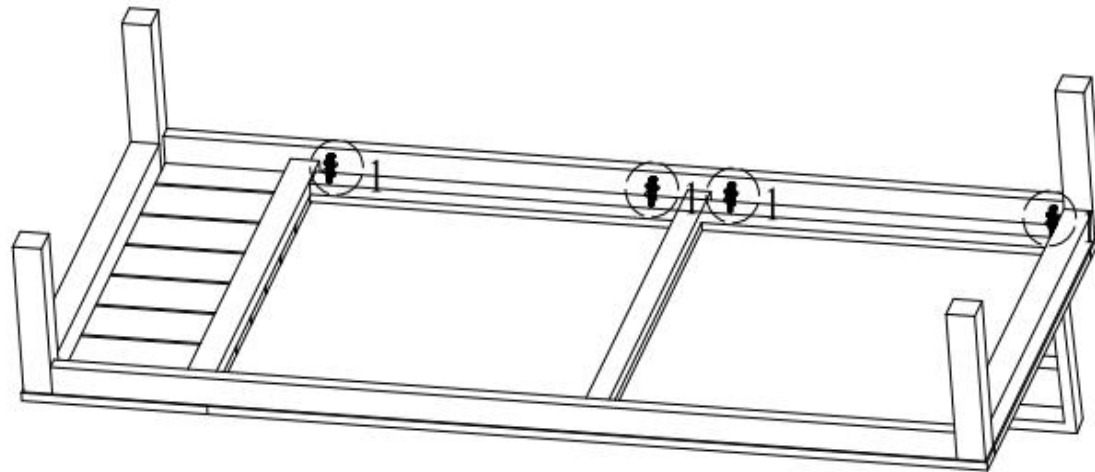


Montageanleitung/Assembly Instruction

Art. Nr./Item No.: 18294



A:8PCS



B:8PCS



C:1PC

STEP 1:

