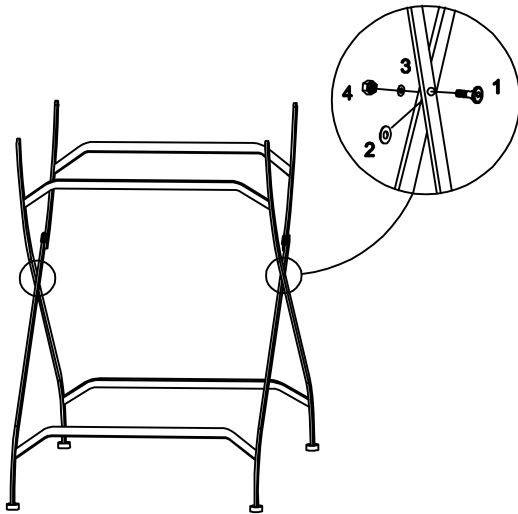


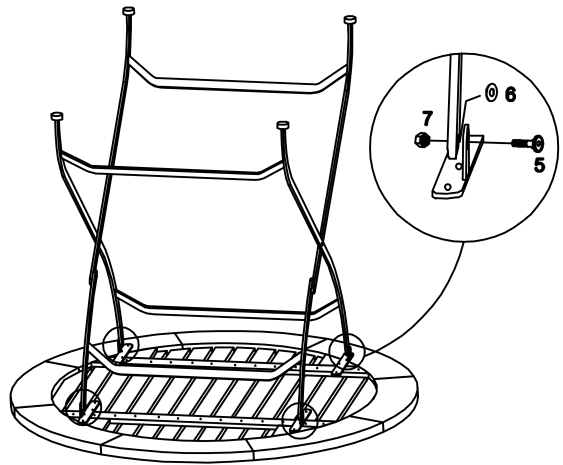
23595



1



2



1|2pcs



2|2pcs



3|2pcs



4|2pcs



5|4pcs



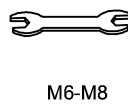
6|4pcs



7|4pcs



8|1pc



9|1pc

