

# Montageanleitung

Art. Nr. 22920

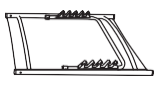
A x2Stk



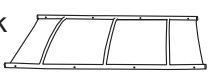
B x2Stk



C x2Stk



D x2Stk



E x4Stk



F x2Stk



G x2Stk



H x4Stk



I x4Stk



J x56Stk



K x4Stk



L x4Stk



M x32Stk



N x20Stk



O x4Stk



P x56Stk



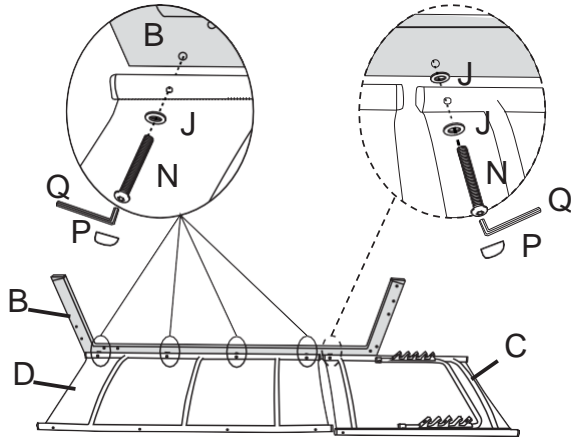
Q x2Stk



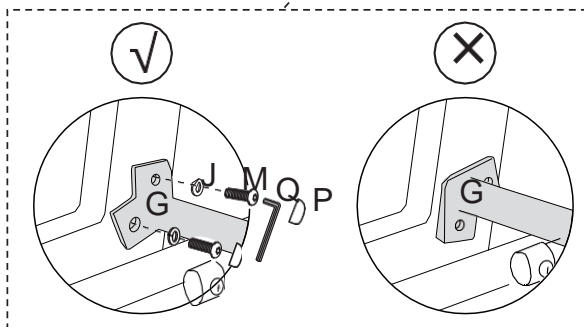
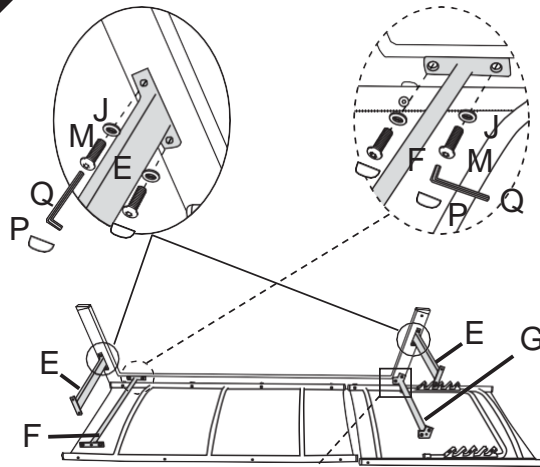
R x2Stk



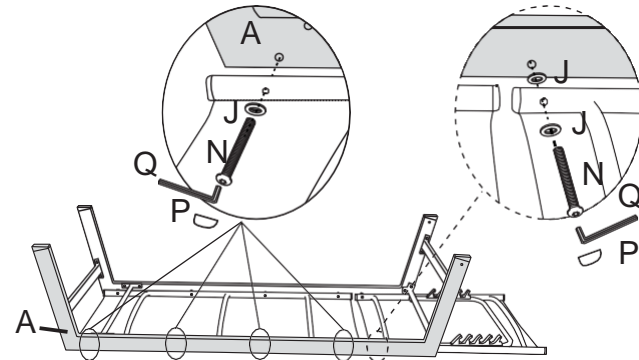
1



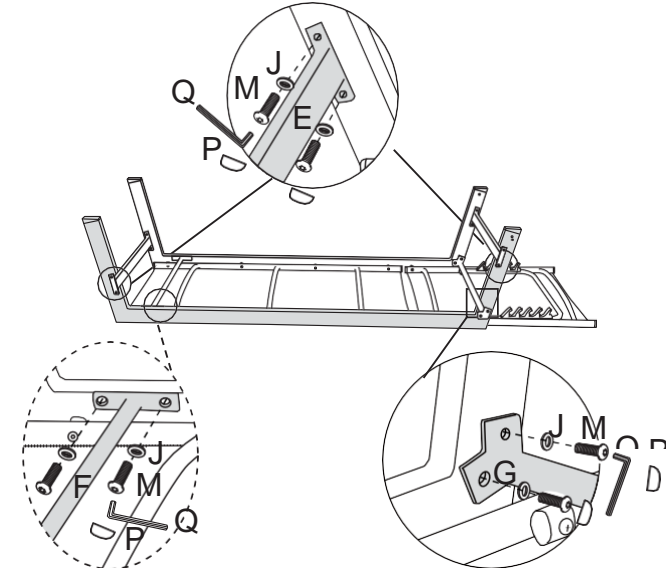
2



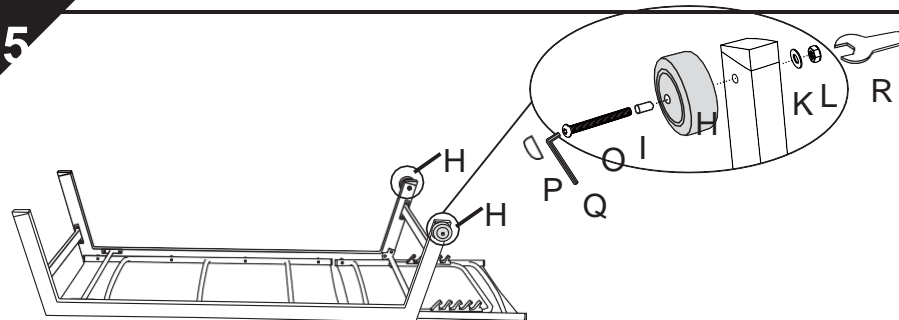
3



4



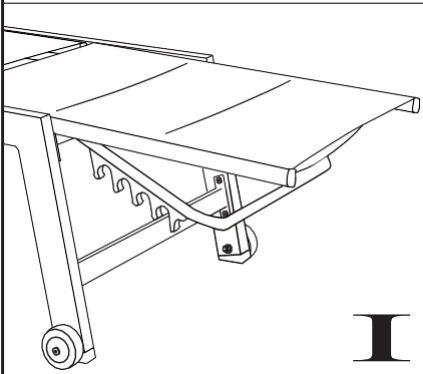
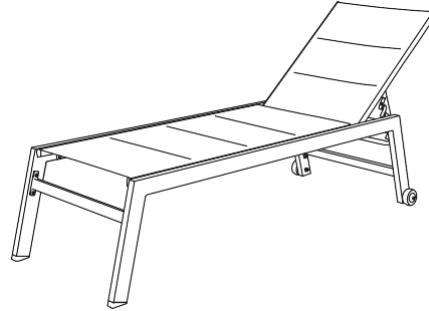
5



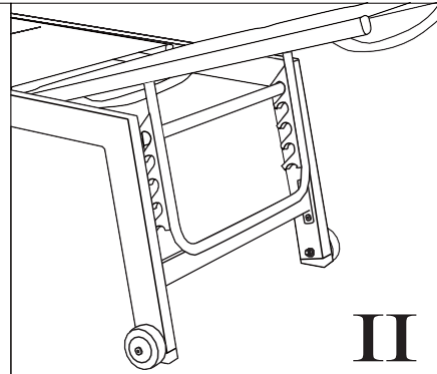
OUTFLEX®

# Montageanleitung

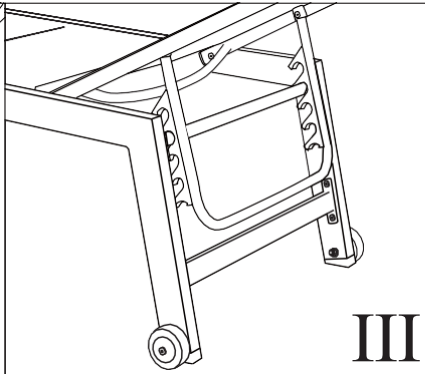
Art. Nr. 22920



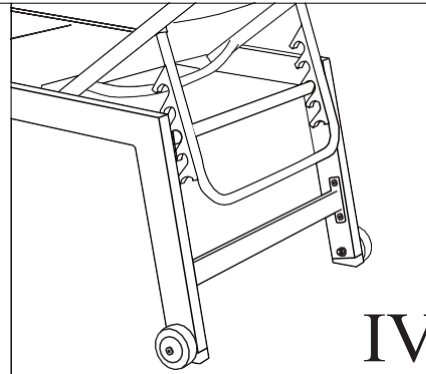
**I**



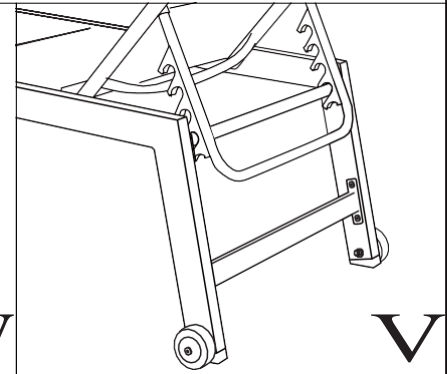
**II**



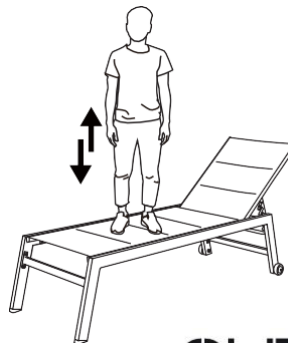
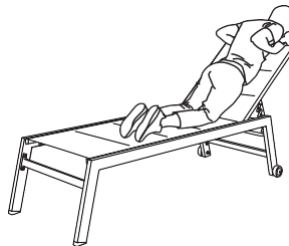
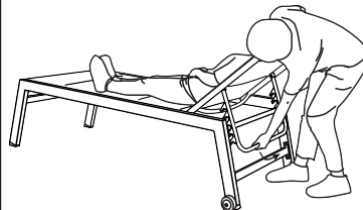
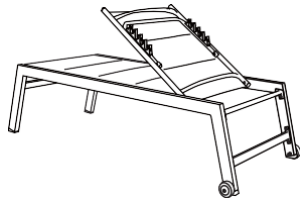
**III**



**IV**



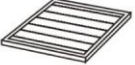




**V**



OUTFLEX®

# Montageanleitung

Art. Nr. 22920

A		1Stk
B		2Stk
C	 M6*30	4Stk
D		4Stk
E		1Stk

